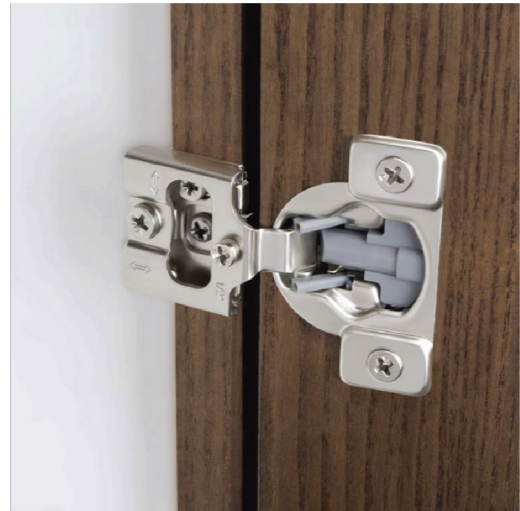


COMPACT SOFT-CLOSE 3D HINGES

SKU: SY301



**Product spec:**

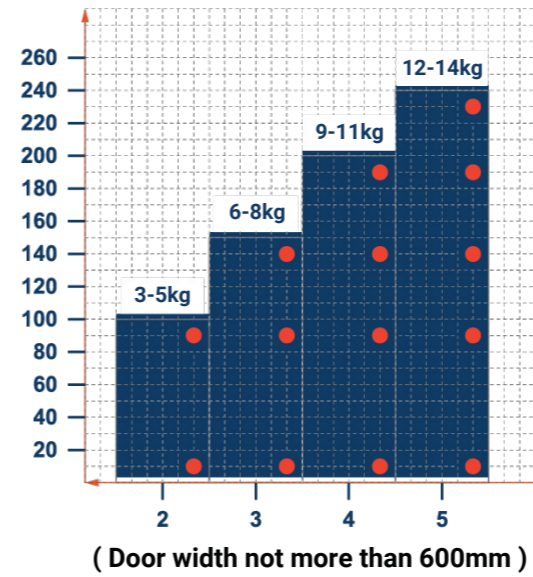
Opening angle: 105°  
 Closing type: Soft close  
 Application: Face frame  
 Diameter of hinge cup: 35mm  
 Height of hinge cup: 10.5mm  
 Boring distance range: 2.5mm  
 Distance of cup holes centers: 45mm  
 Door thickness: 14-21mm  
 Finishing: Nickel plated  
 Main material: Cold-rolled steel  
 Material thickness: 0.8-1.2-1.2mm

 <b>1/2" Overlay</b>		<table border="1"> <thead> <tr> <th>Size</th> <th>Overlay</th> </tr> </thead> <tbody> <tr> <td>1/2"</td> <td>12.7mm</td> </tr> </tbody> </table>	Size	Overlay	1/2"	12.7mm
Size	Overlay					
1/2"	12.7mm					
 <b>3/4" Overlay</b>		<table border="1"> <thead> <tr> <th>Size</th> <th>Overlay</th> </tr> </thead> <tbody> <tr> <td>3/4"</td> <td>19mm</td> </tr> </tbody> </table>	Size	Overlay	3/4"	19mm
Size	Overlay					
3/4"	19mm					
 <b>1" Overlay</b>		<table border="1"> <thead> <tr> <th>Size</th> <th>Overlay</th> </tr> </thead> <tbody> <tr> <td>1"</td> <td>25.4mm</td> </tr> </tbody> </table>	Size	Overlay	1"	25.4mm
Size	Overlay					
1"	25.4mm					
 <b>1 1/4" Overlay</b>		<table border="1"> <thead> <tr> <th>Size</th> <th>Overlay</th> </tr> </thead> <tbody> <tr> <td>1 1/4"</td> <td>31.8mm</td> </tr> </tbody> </table>	Size	Overlay	1 1/4"	31.8mm
Size	Overlay					
1 1/4"	31.8mm					

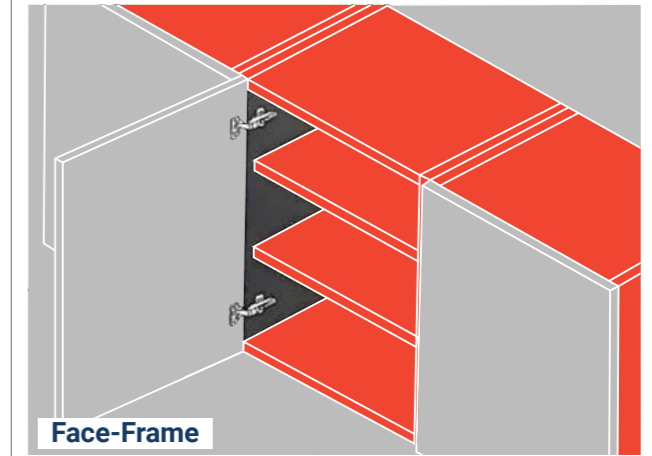
COMPACT SOFT-CLOSE 3D HINGES

Product Parameters

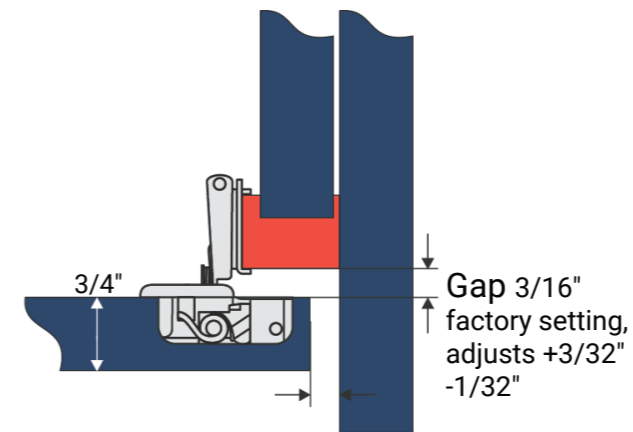
Hinges per door



Application

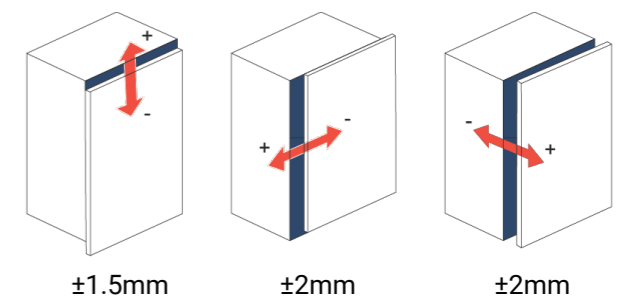


Face-Frame



Reveal Minimum reveal: 3/4" door thickness, 9/32" (based on square edge doors)

Door adjustment



±1.5mm

±2mm

±2mm

Alternative mounting types



Dimension of hinge cup

